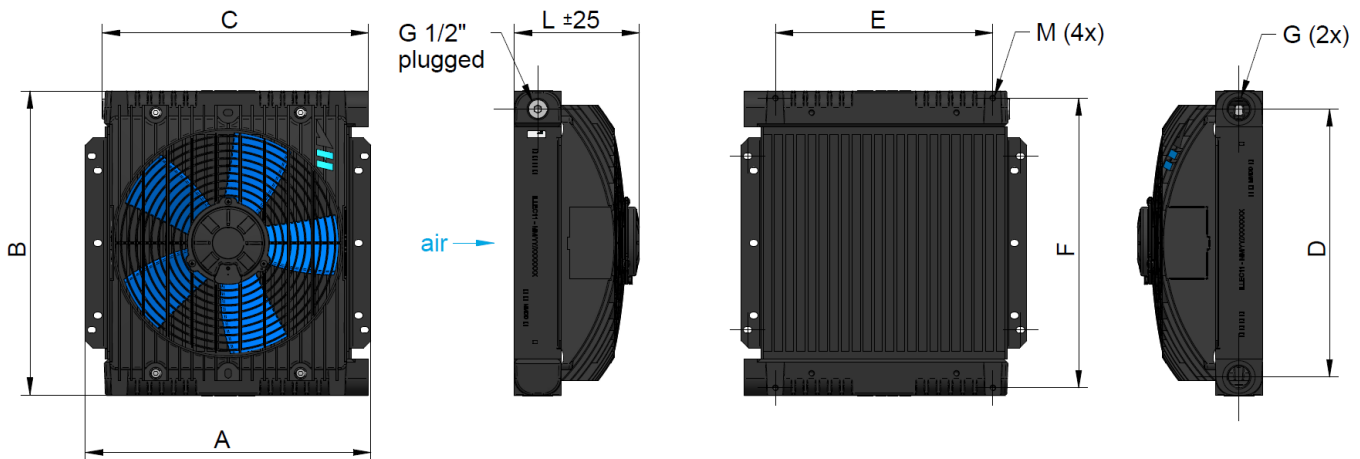


Oil / Air Cooler

Standard Range / ECO 07, 11, 16, 25 Generation 2

12/24V DC



Dimensions

order number	description	A	B	C	D	E	F	G	M	L	weight
		[mm]	[mm]	[mm]	[mm]	[mm]	[mm]	[mm]		[mm]	[kg]
I LLC20701	ECO-2 07 LP 12V DC	327	380	275	330	200	360	G 1"	M8	160	8,6
I LLC20702	ECO-2 07 LP 24V DC	327	380	275	330	200	360	G 1"	M8	160	8,6
I LLC20703	ECO-2 07 HP 12V DC	327	380	275	330	200	360	G 1"	M8	180	9,3
I LLC20704	ECO-2 07 HP 24V DC	327	380	275	330	200	360	G 1"	M8	180	9,3
I LLC21103	ECO-2 11 HP 12V DC	395	420	365	370	300	400	G 1"	M8	175	10,6
I LLC21104	ECO-2 11 HP 24V DC	395	420	365	370	300	400	G 1"	M8	175	10,6
I LLC21601	ECO-2 16 LP 12V DC	-	500	435	450	360	480	G 1 1/4"	M8	195	16,5
I LLC21602	ECO-2 16 LP 24V DC	-	500	435	450	360	480	G 1 1/4"	M8	195	16,5
I LLC22501	ECO-2 25 LP 12V DC	527	600	-	550	450	580	G 1 1/4"	M10	257	22,0
I LLC22502	ECO-2 25 LP 24V DC	527	600	-	550	450	580	G 1 1/4"	M10	257	22,0

Technical Data

order number	description	motor power	current	protection	air flow	noise level
		[kW]	[A]		[kg/s]	[dB(A)]
I LLC20701	ECO-2 07 LP 12V DC	0,13	9,6	IP68	0,39	74
I LLC20702	ECO-2 07 LP 24V DC	0,14	5,2	IP68	0,39	74
I LLC20703	ECO-2 07 HP 12V DC	0,20	15,6	IP68	0,58	78
I LLC20704	ECO-2 07 HP 24V DC	0,21	8,1	IP68	0,58	78
I LLC21103	ECO-2 11 HP 12V DC	0,29	22,6	IP68	0,74	77
I LLC21104	ECO-2 11 HP 24V DC	0,30	11,4	IP68	0,74	77
I LLC21601	ECO-2 16 LP 12V DC	0,28	21,2	IP68	0,88	79
I LLC21602	ECO-2 16 LP 24V DC	0,30	11,4	IP68	0,88	79
I LLC22501	ECO-2 25 LP 12V DC	0,28	21,2	IP68	0,97	78
I LLC22502	ECO-2 25 LP 24V DC	0,30	11,4	IP68	0,97	78

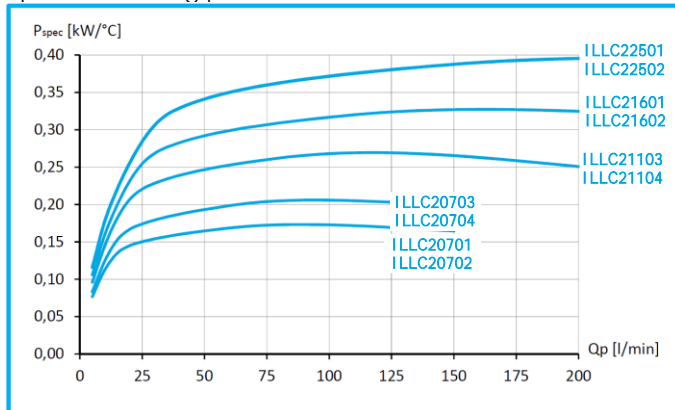
Oil / Air Cooler

Standard Range / ECO 07, 11, 16, 25 Generation 2

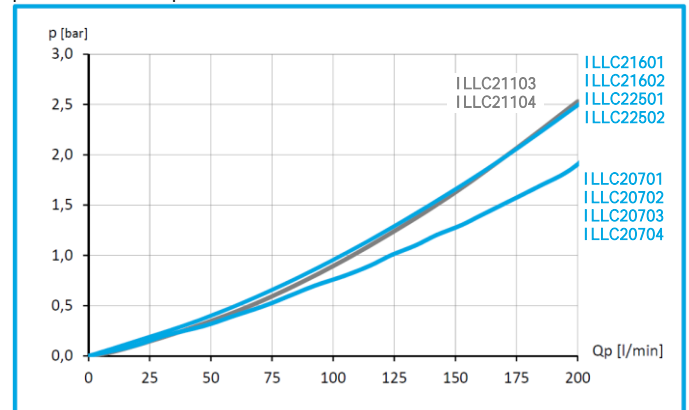
12/24V DC



specific cooling performance



pressure drop at 30cSt



Radiator

material:	aluminium
working temp. range:	-20°C to +80°C (oil temperature)**
air fin:	wavy
max. working pressure:	16 bar (static)

Options

temperature switches IP69K	ILLZTH5069K, ILLZTH6069K, ILLZTH9069K
temperature sensor	ILLZTT5069K
temperature control	ILLZTC12-2K, ILLZTC24-2K
temperature switches IP65	ILLZTH4765K, ILLZTH6065K

**...the indicated temperature is the maximum inlet temperature for the cooler radiator.
Depending on the sealings in use, the application needs appropriate checking.

